

Telescopic S30X-S40X Vibration Isolator



**3.5 - 5
Hz**

Natural
frequency

**40 - 730
kg**

Static load

**- 70°C
+ 500°C**

Operating
temperature

Content

Components, description and application.....	2
Specifications, types of isolator and loads.....	3
Dimensions and laboratory research	4
Contacts.....	5



Components

- **Body** - zinc-plated carbon steel
- **Spring** - spring steel 52CrMoV4 (EN 10089)
- **Shock absorber** - AISI 304 stainless steel wire mesh
- **Pivot nuts** - bronze



Description













100% metal vibration isolator with **spring and shock absorber**, and with **pivoting elements** at the ends to enhance its performance.

Withstands extreme temperatures and operates in environments with corrosive fluids.

Application

Insulation of **suspended pipes**, especially:

- at **high temperatures** where **expansion** causes considerable displacement.
- those where the **internal pressure** generates **sudden movements** that shake the anchoring structure.

- | | | |
|---|--|---|
|  Suspended pipes |  Turbines |  Thermal power plants |
|  High and low temperature pipelines |  Fragile shipped material |  Nuclear power plants |
|  Air conveying ducts |  Exhaust manifolds |  Hydroelectric power plants |
|  Ventilation systems |  Various types of canalisations |  Pneumatic underground trash collection system |

Specifications

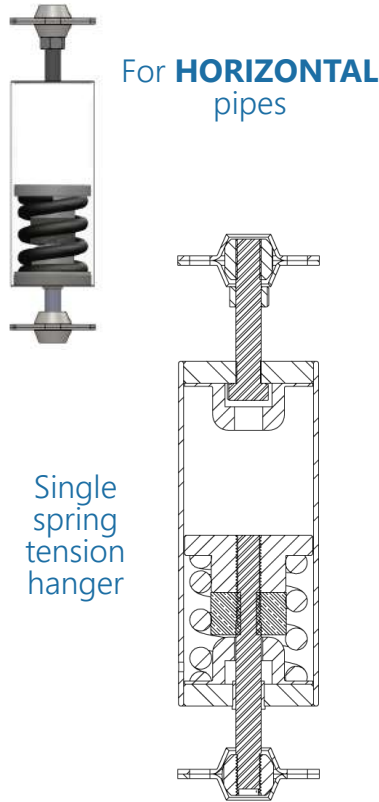
Resistant to chemicals, corrosion, extreme temperatures, sunlight and fire. Perfectly suitable for outdoor use.

Designed for **infinite life under nominal load**. The metal wire mesh shock absorber provides **progressive stiffening** and therefore prevents the spring from blocking.

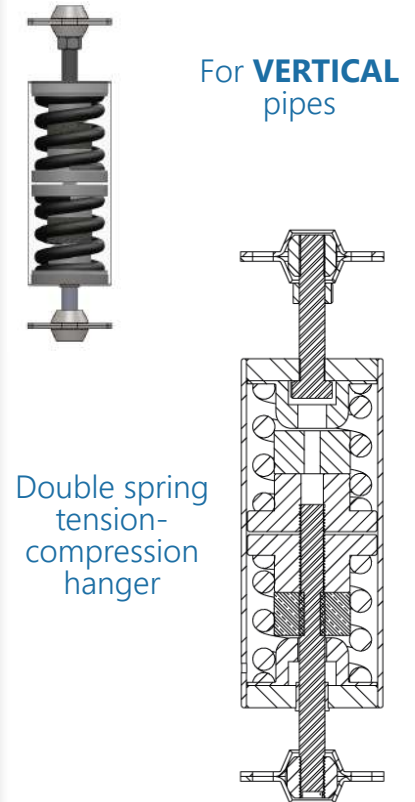


Types of isolator

Type 1 - 30X



Type 2 - 40X



* The variable «X» takes values from **1 to 7** and denotes the **load range (kg)** shown in the table below.

Loads

Ref. 30X	Load (kg)	Ref. 40X
954099-301	40 - 85	954099-401
954099-302	65 - 125	954099-402
954099-303	110 - 190	954099-403
954099-304	175 - 270	954099-404
954099-305	250 - 400	954099-405
954099-306	360 - 560	954099-406
954099-307	540 - 730	954099-407



Static load:
40 - 730 kg

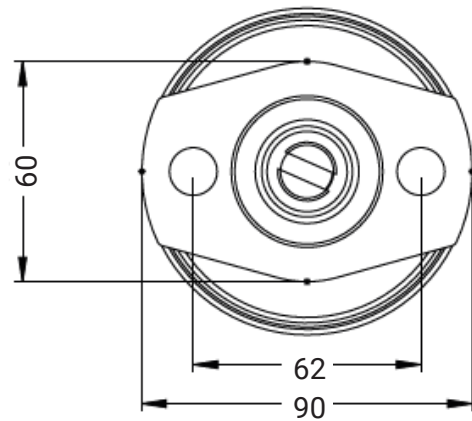
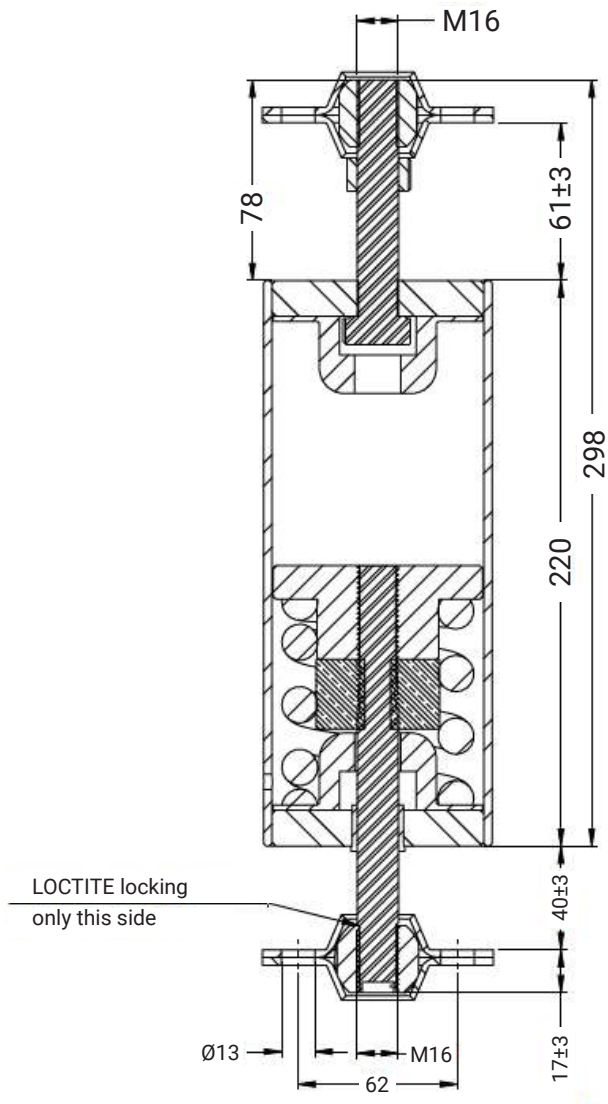


Axial natural frequency:
3.5 - 5 Hz



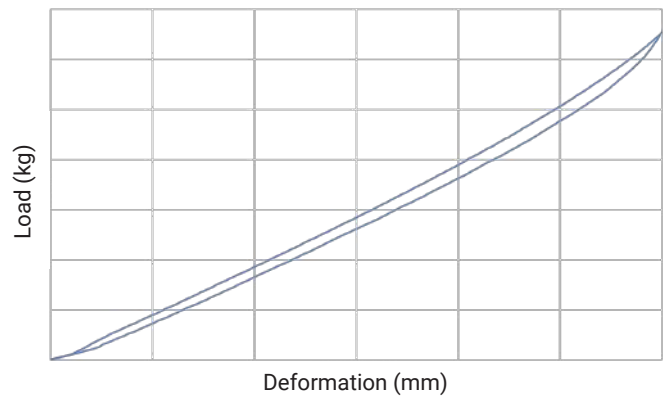
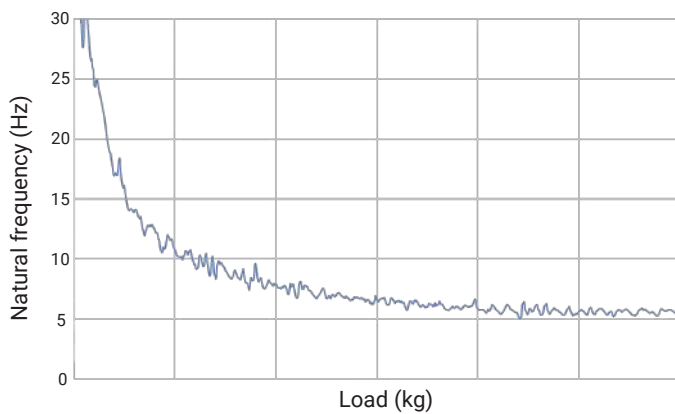
Operating temperature:
from -70 to +500 °C

Dimensions



* Both types of vibration isolator (30X and 40X) share the same dimensions.

Laboratory research





Tejasa TC LLC / Silentflex®

Leading Spanish manufacturer and supplier of noise and vibration isolators, anti-vibration mounts and dampers with more than 30 years of experience in vibration control.

Contact us



www.silentflex.eu



+34 942 54 42 23



silentflex@silentflex.com



C/ Industria 77, Parque Industrial Tirso González 21,
39610 Astillero, Cantabria,
Spain



Tejasa TC - Silentflex®