

Silentflex INOX 7001



6 - 12
Hz

Natural
frequency

0.25 - 4.5
kg

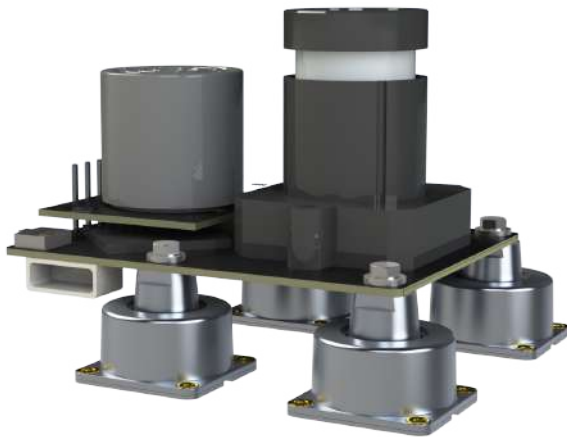
Static load

- 70°C
+ 500°C

Operating
temperature

Components

- **Shock absorber** - AISI 304 stainless steel wire mesh
- **Spring** - stainless steel for springs AISI 302
- **Shaft, base and casing** - aluminum



Description

It has a **100% metal spring and shock absorber** inside to dissipate the energy. It **works in compression** and incorporates an end-of-stroke stop.

It is fixed at the **bottom** using **4 through holes of 4 mm** in diameter and at the **top** using **one M4 threaded hole** (M3 and M5 available on request).

Application

It is mainly used for the protection of **onboard electronic equipment** against moderate vibration and shock, as well as **electrical cabinets** and **measuring instruments** in marine, airborne or land vehicles.

- | | | |
|------------------------|---|------------------------|
| ● Onboard equipment | ● Measuring instruments in vehicles | ● Air conditioners |
| ● Electronic equipment | ● Control equipment on industrial machinery | ● Laboratory equipment |
| ● Navigation equipment | ● Rotary machines | ● Compressors |
| ● Computers | ● Electrical cabinets | ● Canalisations |

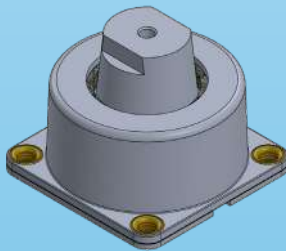
Specifications

They are **resistant** to chemicals, corrosion, extreme temperatures, sunlight and fire. Perfectly suitable for outdoor use.

Maximum permitted excitation at natural frequency of suspension: ± 0.4 mm.

Amplificator factor at resonance: < 5 .

Structural strength corresponds to continuous acceleration of 10 g with maximum load.



Static load:
0.25 - 4.5 kg



Max. dynamic load:
2.25 - 22.5 kg



Natural frequency:
Axial: 6 - 12 Hz
Radial: 4 - 10 Hz



Operating temperature:
from -70 to +500 °C

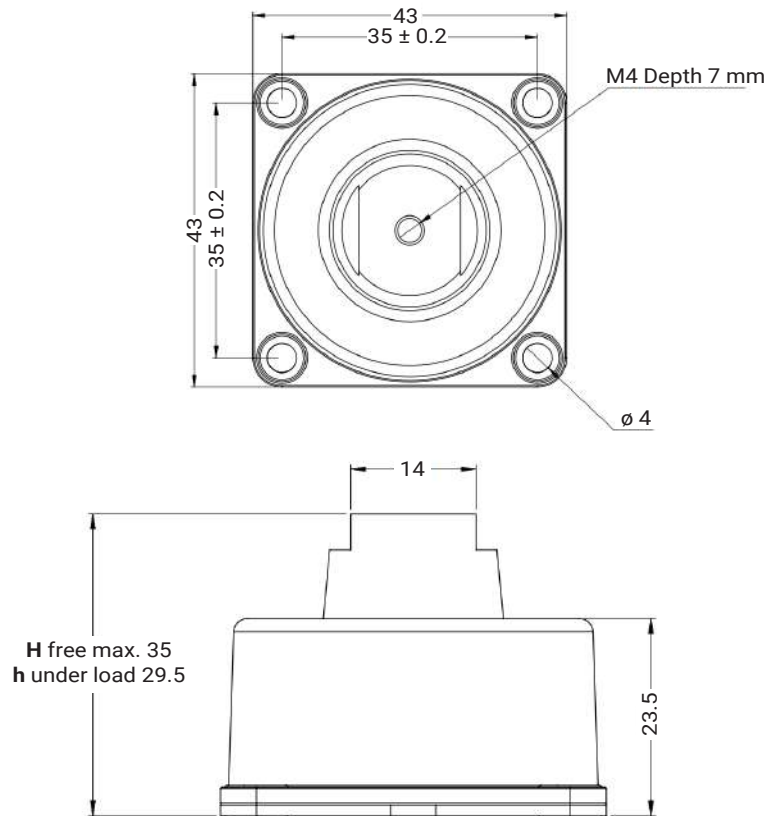


Travel under shock:
Axial: ± 5 mm
Radial: ± 4 mm

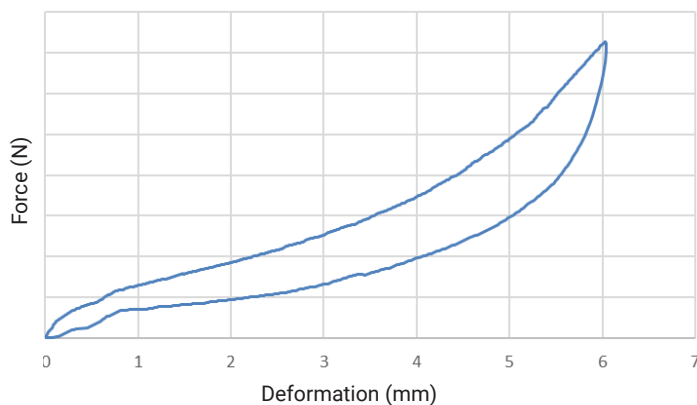
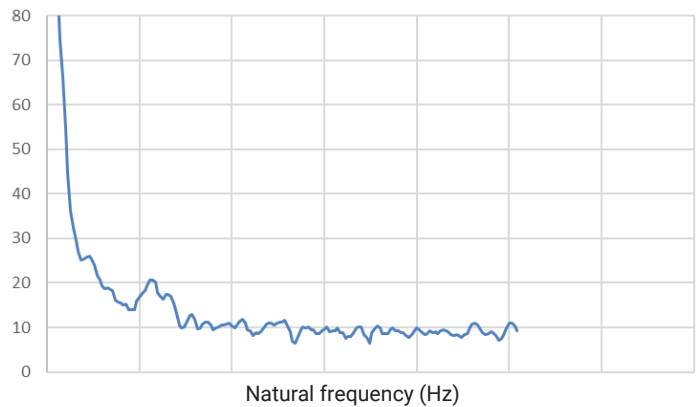


Anti-block system

Dimensions



Laboratory research

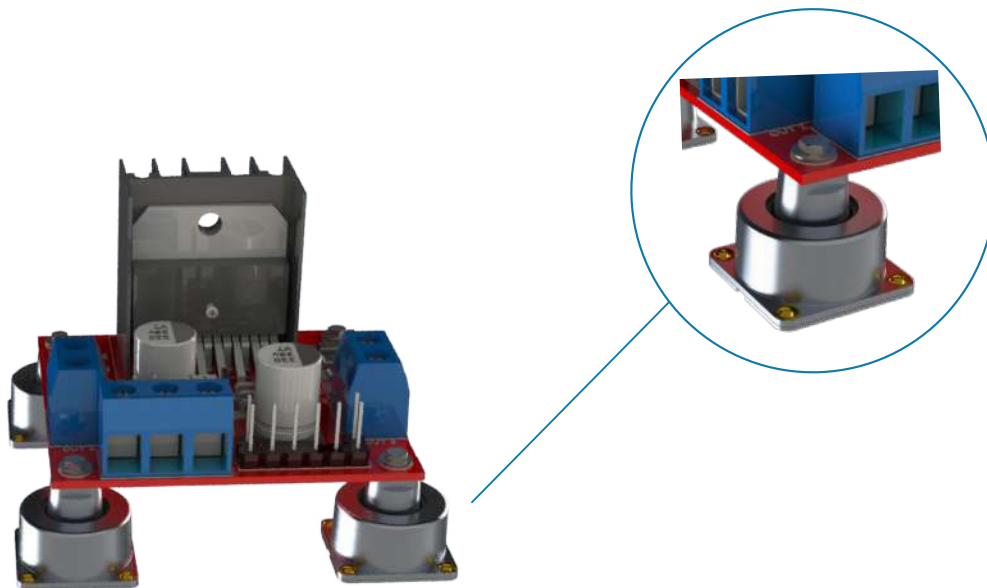


Technical characteristics

Approx. **weight** (acc. to reference):
40g



Ref.	Name	Axial static load (kg)	Max. axial dynamic load (kg)	Metric
954042-1	7001 HC	0.25 - 0.45	2.25	M4 (on request available in M3 or M5)
954042-2	7001 JC	0.35 - 0.8	4	
954042-3	7001 KC	0.7 - 1.5	7.5	
954042-4	7001 LC	1 - 2.5	12.5	
954042-5	7001 MC	2.5 - 4.5	22.5	





Tejasa TC LLC / Silentflex®

Leading Spanish manufacturer and supplier of noise and vibration isolators, anti-vibration mounts and dampers with more than 30 years of experience in vibration control.

Contact us



www.silentflex.eu



+34 942 54 42 23



silentflex@silentflex.com



C/ Industria 77, Parque Industrial Tirso González 21,
39610 Astillero, Cantabria,
Spain



Tejasa TC - Silentflex®