

Single springs



3 - 9
Hz

Natural
frequency

5 - 730
kg

Static load

- 70°C
+ 300°C

Operating
temperature

Content

Components, description and application.....	2
Specifications, dimensions and laboratory research.....	3
Spring ref. 954057	4
Spring ref. 954058	5
Spring ref. 954059	6
Spring ref. 954060	7
Spring ref. 954061	8
Spring ref. 954062	9
Spring ref. 954063	10
Contacts.....	11



Components

- **Spring** - standard steel for springs 52CrMoV4 (EN 10089) with surface treatment shot-peening with zinc phosphate
- **Shock absorber** - metallic cushion in AISI 304 stainless steel wire mesh
- **Base cap** - aluminum
- **Sole** - zinc-plated or painted steel



Description

Each anti-vibration mount has a **high-strength metal spring** and a **damping element** inside for energy dissipation.

Easy installation thanks to **two threaded base caps and one or two soles** for fixation between the floor and the machine.



Application

They are widely used in **industry** for the insulation of **high** (3000/1500 rpm) **and low** (400 rpm) **revolution machines**, all **rotating machines** and sensitive **electronic equipment**.



Engines / motors



Compressors



Boilers



Pumps



Vibrating screen machines



Chillers



Electric transformers



Vibratory feeders



Generator sets



Fans



Textile machines



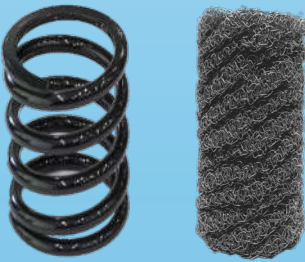
Lab equipment

Specifications

They are resistant to chemicals, corrosion, extreme temperatures, sunlight and fire. Perfectly suitable for outdoor use.

For **medium and high vibrations (> 20 Hz)** the attenuation is greater than 90%.

They provide stable insulation over a wide range of loads and are designed for **infinite life under nominal load**. The metal cushion provides **progressive stiffening** and therefore prevents the spring from blocking.



Static load:
from 5 to 730 kg



Natural frequency:
3 - 9 Hz

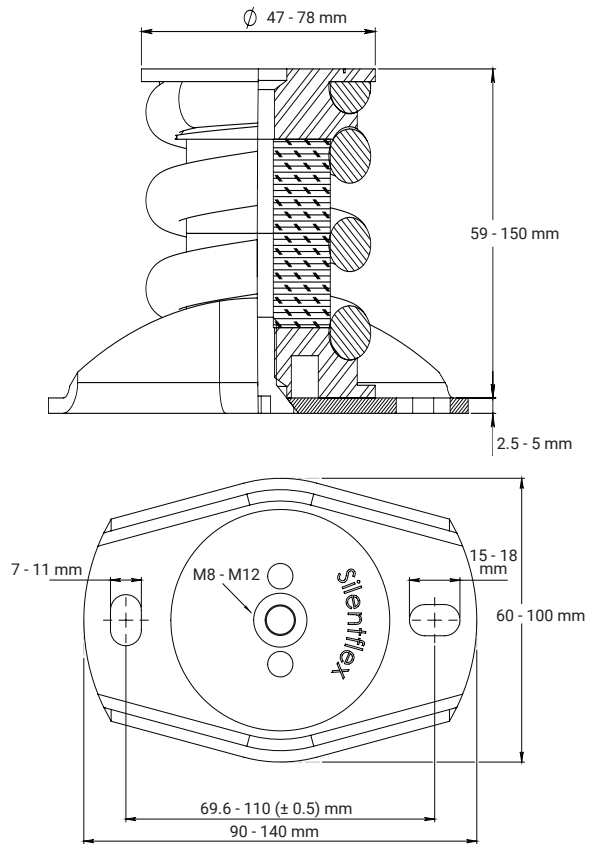


Operating temperature:
from -70 to +300 °C

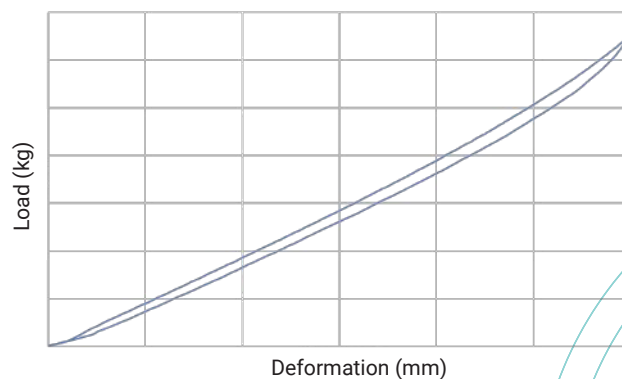
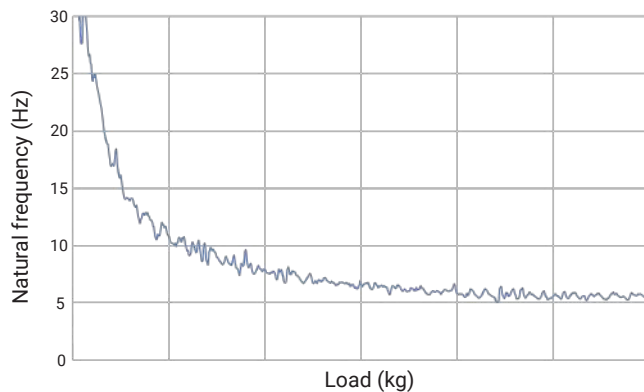


Anti-block system

Dimensions



Laboratory research



Spring ref. 954057

7 - 9 Hz

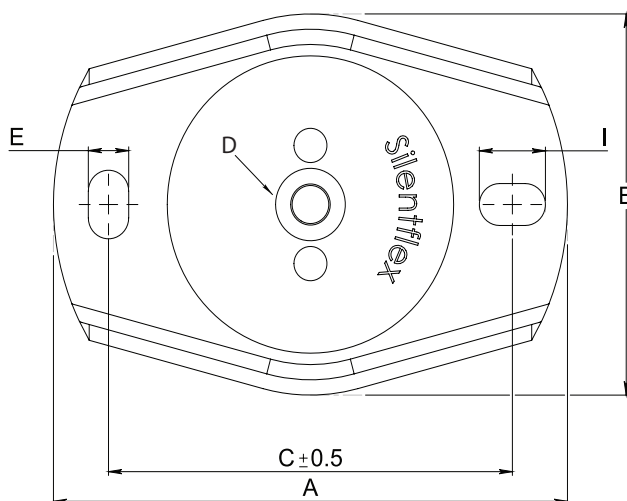
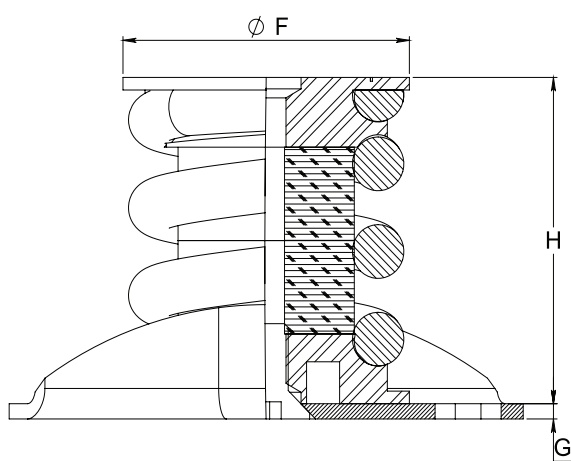
420 - 540 Rpm



Ref.	Load (kg)
954057-01	6 - 10.5
954057-02	7.5 - 13.5
954057-03	12 - 20
954057-04	18 - 30
954057-05	24 - 46
954057-06	40 - 75

A	B	C	D	E	F	G	I
90	60	69.6	M8	7	47	2.5	15

Dimensions in millimeters (mm)



Ref.	H Free	h Under load
954057-0X*	59	49 ± 2
954057-0XS**	61.5	51.5 ± 2
954057-0XSS***	64	54 ± 2

Dimensions in millimeters (mm)

* X - number (depending on the load)

** S - with one sole

*** SS - with two soles

Spring ref. 954058

5 - 6 Hz

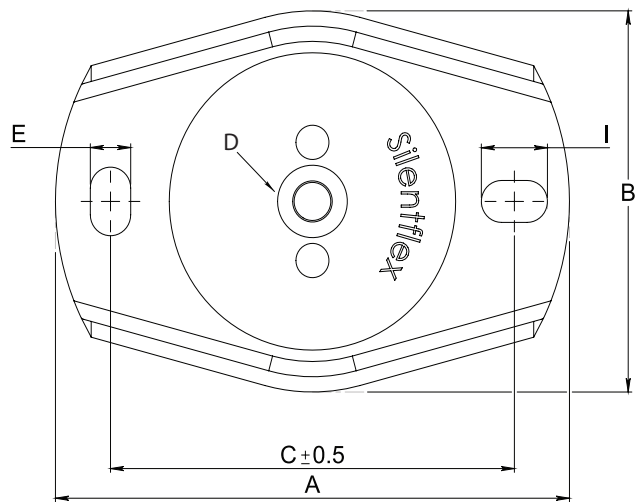
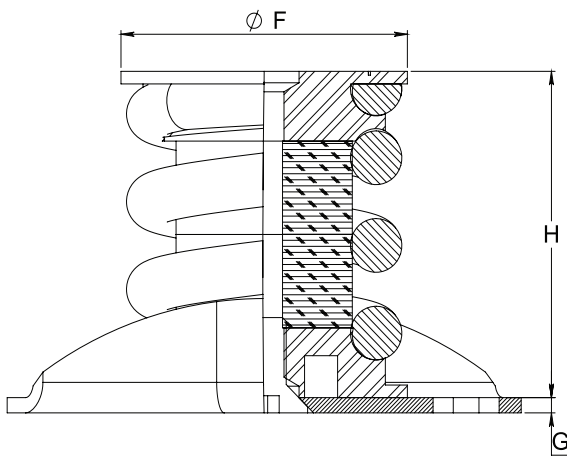
300 - 360 Rpm



Ref.	Load (kg)
954058-01	5 - 7
954058-02	6 - 9
954058-03	9 - 14
954058-04	14 - 20
954058-05	20 - 30
954058-06	30 - 50

A	B	C	D	E	F	G	I
90	60	69.6	M8	7	47	2.5	15

Dimensions in millimeters (mm)



Ref.	H Free	h Under load
954058-0X*	59	49 ± 2
954058-0XS**	61.5	51.5 ± 2
954058-0XSS***	64	54 ± 2

Dimensions in millimeters (mm)

* X - number (depending on the load)

** S - with one sole

*** SS - with two soles

Spring ref. 954059

3 - 4 Hz

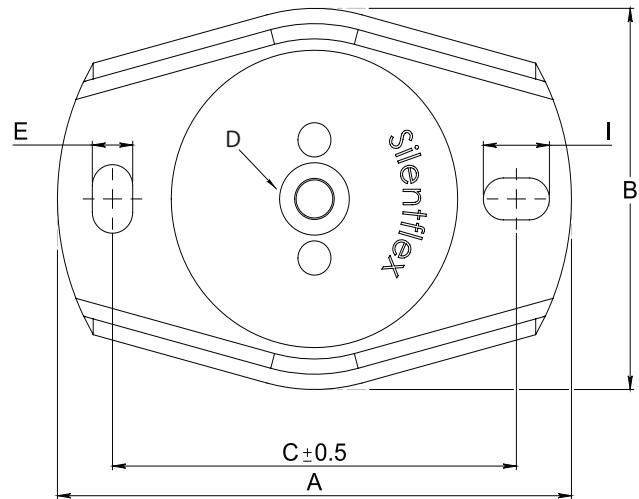
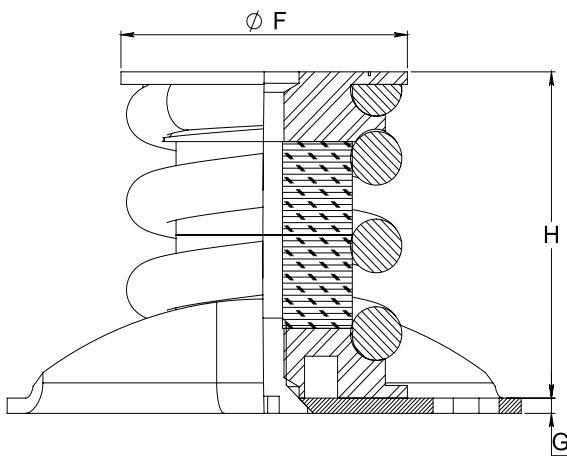
180 - 240 Rpm



Ref.	Load (kg)
954059-01	5 - 7
954059-02	6 - 9
954059-03	9 - 14
954059-04	14 - 20
954059-05	20 - 30
954059-06	30 - 50

A	B	C	D	E	F	G	I
90	60	69.6	M8	7	47	2.5	15

Dimensions in millimeters (mm)



Ref.	H Free	h Under load
954059-0X*	88	68 ± 2
954059-0XS**	90.5	70.5 ± 2
954059-0XSS***	93	73 ± 2

Dimensions in millimeters (mm)

* **X** - number (depending on the load)

** **S** - with one sole

*** **SS** - with two soles

Spring ref. 954060

7 - 9 Hz

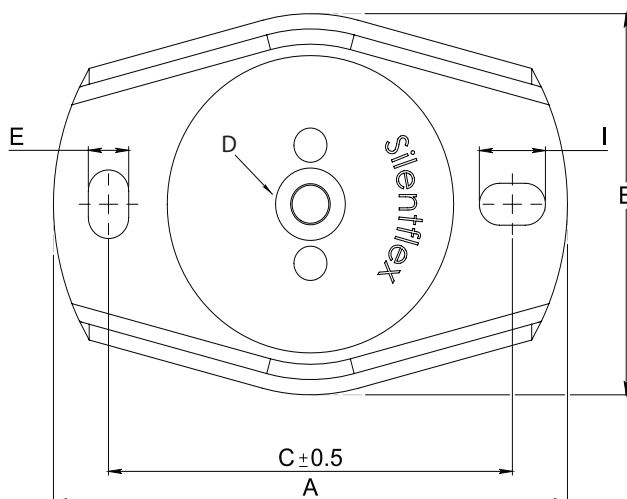
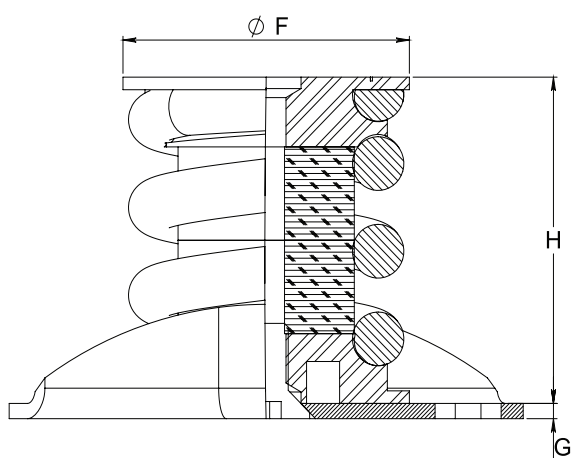
420 - 540 Rpm



Ref.	Load (kg)
954060-00	25 - 40
954060-01	40 - 85
954060-02	65 - 125
954060-03	110 - 190
954060-04	175 - 270
954060-05	250 - 400
954060-06	360 - 560
954060-07	540 - 730

A	B	C	D	E	F	G	I
140	100	110	M12	11	78	5	18

Dimensions in millimeters (mm)



Ref.	H Free	h Under load
954060-0X*	88	78 ± 2
954060-0XS**	92	82 ± 2
954060-0XSS***	96	86 ± 2

Dimensions in millimeters (mm)

* X - number (depending on the load)

** S - with one sole

*** SS - with two soles

Spring ref. 954061

5 - 6 Hz

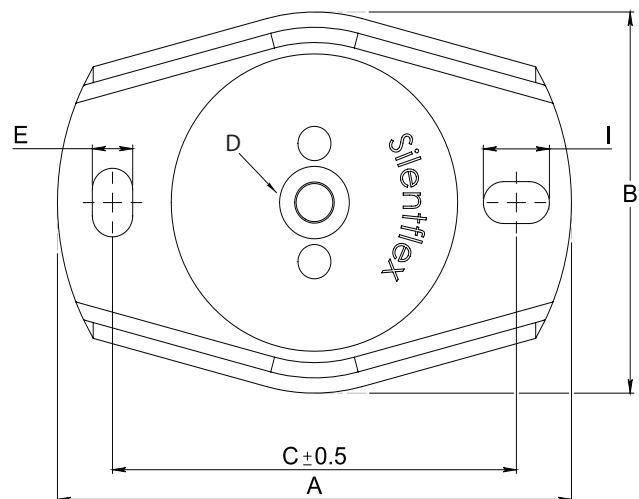
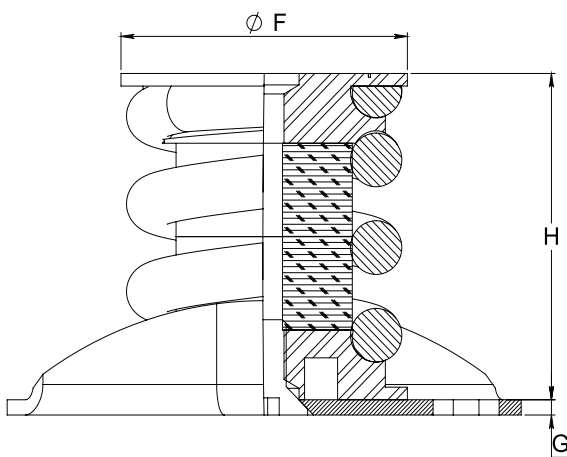
300 - 360 Rpm



Ref.	Load (kg)
954061-00	20 - 35
954061-01	30 - 50
954061-02	50 - 80
954061-03	80 - 125
954061-04	125 - 195
954061-05	195 - 310
954061-06	310 - 420
954061-07	420 - 560

A	B	C	D	E	F	G	I
140	100	110	M12	11	78	5	18

Dimensions in millimeters (mm)



Ref.	H Free	h Under load
954061-0X*	88	78 ± 2
954061-0XS**	92	82 ± 2
954061-0XSS***	96	86 ± 2

Dimensions in millimeters (mm)

* X - number (depending on the load)

** S - with one sole

*** SS - with two soles

Spring ref. 954062

3 - 4 Hz

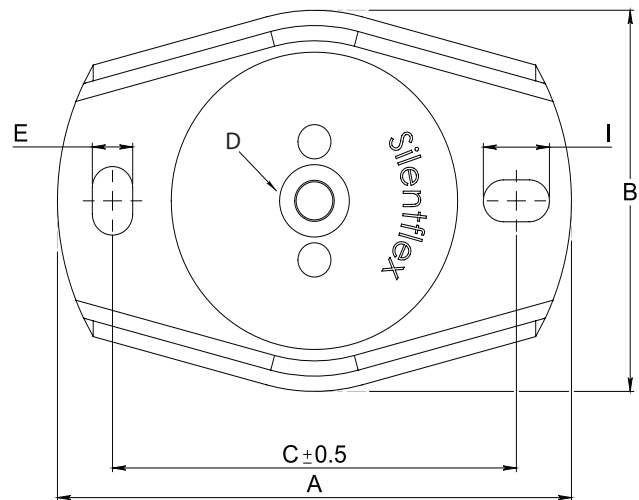
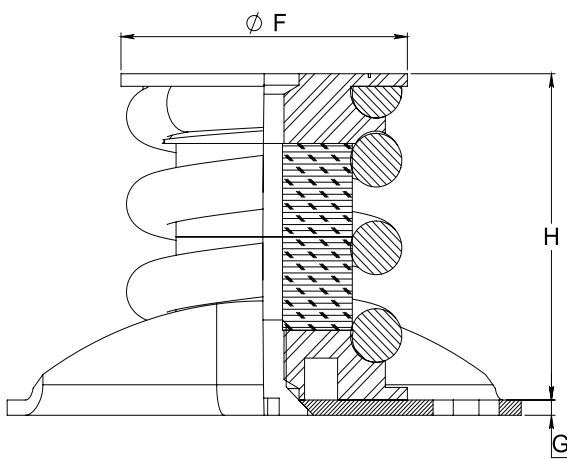
180 - 240 Rpm



Ref.	Load (kg)
954062-01	75 - 105
954062-02	95 - 130
954062-03	115 - 160
954062-04	160 - 230
954062-05	220 - 310
954062-06	300 - 415
954062-07	410 - 550

A	B	C	D	E	F	G	I
140	100	110	M12	11	78	5	18

Dimensions in millimeters (mm)



Ref.	H Free	h Under load
954062-0X*	142	122 ± 2
954062-0XS**	146	126 ± 2
954062-0XSS***	150	130 ± 2

* X - number (depending on the load)

** S - with one sole

*** SS - with two soles

Dimensions in millimeters (mm)

Spring ref. 954063

4 - 5 Hz

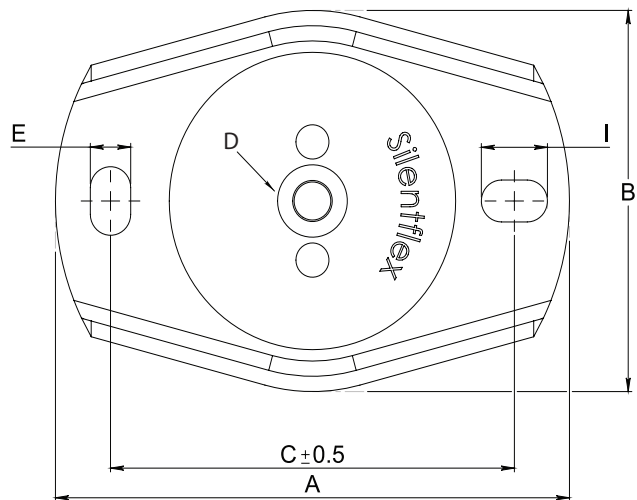
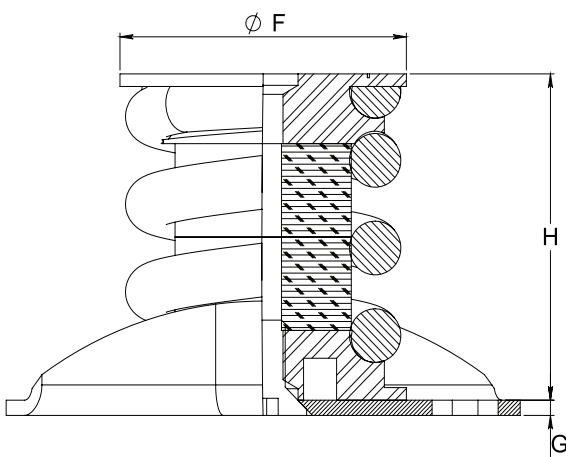
240 - 300 Rpm



Ref.	Load (kg)
954063-01	98 - 137
954063-02	124 - 169
954063-03	150 - 208
954063-04	208 - 299
954063-05	286 - 403
954063-06	390 - 540
954063-07	533 - 715

A	B	C	D	E	F	G	I
140	100	110	M12	11	78	5	18

Dimensions in millimeters (mm)



Ref.	H Free	h Under load
954063-0X*	142	122 ± 2
954063-0XS**	146	126 ± 2
954063-0XSS***	150	130 ± 2

Dimensions in millimeters (mm)

* **X** - number (depending on the load)

** **S** - with one sole

*** **SS** - with two soles



Tejasa TC LLC / Silentflex®

Leading Spanish manufacturer and supplier of noise and vibration isolators, anti-vibration mounts and dampers with more than 30 years of experience in vibration control.

Contact us



www.silentflex.com



+34 942 54 42 23



silentflex@silentflex.com



C/ Industria 77, Parque Industrial Tirso González 21, 39610 Astillero, Cantabria, Spain