

954077

Traction - Compression



15 - 25
Hz

Natural
frequency

10 - 150
kg

Static load

- 50°C
+ 200°C

Operating
temperature

Content

Components, description and application.....	2
Specifications, dimensions and codification	3
Laboratory research	4
Technical characteristics	5
Contacts.....	6



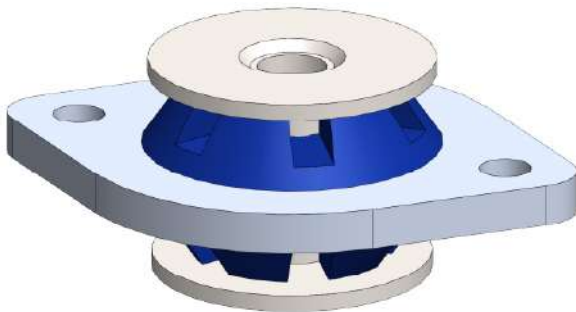
Components

- **Elastomer** - natural rubber or silicone
- **Shaft and washers** - zinc plated steel
- **Case** (Type 1 only) - zinc plated steel
- **Oval plate** (Type 2 only) - aluminum

Type 1 - square



Type 2 - oval



Description

Light anti-vibration mount with high damping that works both in **traction** and **compression** with shock absorption capacity.

The shock absorber contains an elastomeric element that can be made of **natural rubber** (for better performance) or **silicone** (for higher temperatures).

Application

It is an ideal product for **on-board equipment, electronics,** and other **sensitive vehicle-mounted equipment.**

- | | | |
|---------------------|--|--------------------------|
| Aeromodelling | Fans | Aircraft-borne equipment |
| Hard drives | Onboard generator sets | Railway equipment |
| Electronic cabinets | Onboard instrumentation and control panels | Lab equipment |
| Vibrating sieves | Navigation devices | Vibrating screens |

Specifications

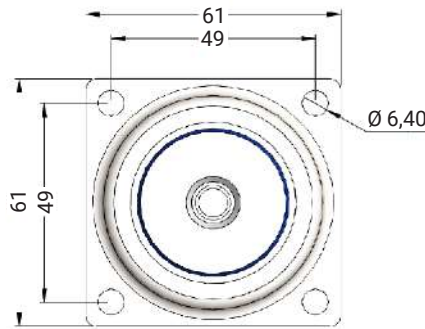
This shock absorber has **two versions**: with a square casing with 4 fixing points or with an oval aluminum plate.

Moreover, the elastomeric element can be made of **natural rubber** or **silicone**.

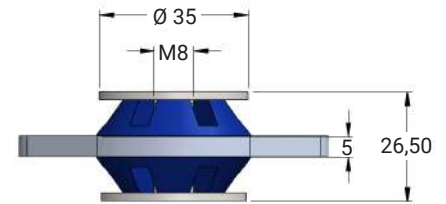
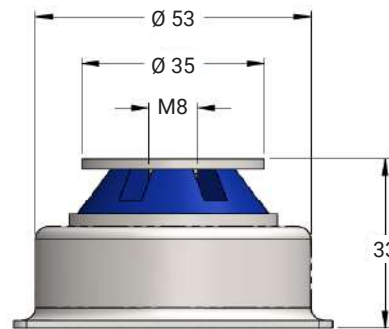
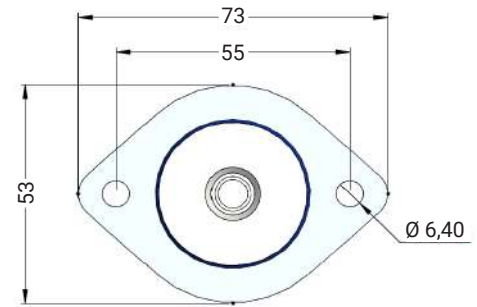
It works in **traction** and **compression** and can also assimilate slight movements in a **radial direction**.

Dimensions

Type 1 - square



Type 2 - oval



Codification



Type 1 - square:

Ref. 954077-XX: where XX is determined by the hardness of the rubber (40, 50, 65 or 75)

Ref. 954077-XXS: where XX is determined by the hardness of the silicone (S) (30, 50 or 70)



Type 2 - oval:

Ref. 954077-XX-OV: where XX is determined by the hardness of the rubber (40, 50, 65 or 75)

Ref. 954077-XXS-OV: where XX is determined by the hardness of the silicone (S) (30, 50 or 70)



Static load:
from 10 to 50 kg



Max. dynamic load:
70 kg

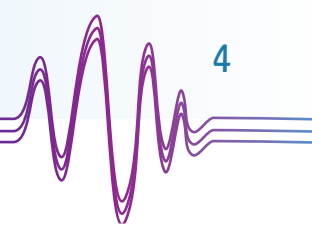


Natural frequency:
15 - 25 Hz

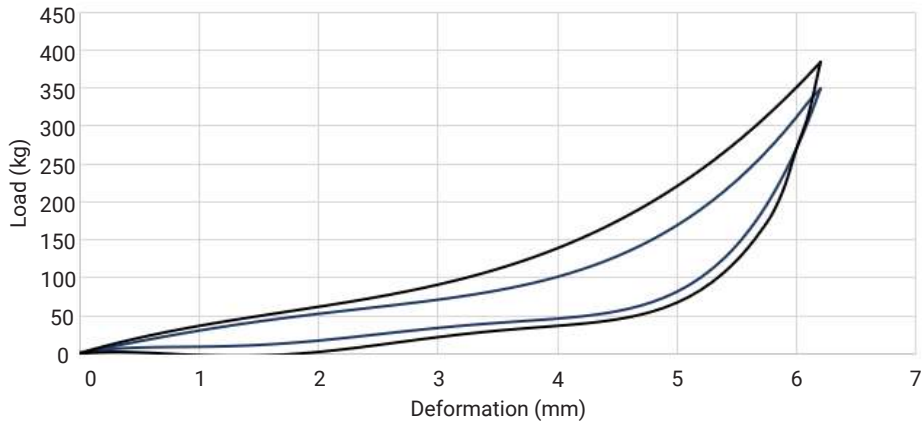
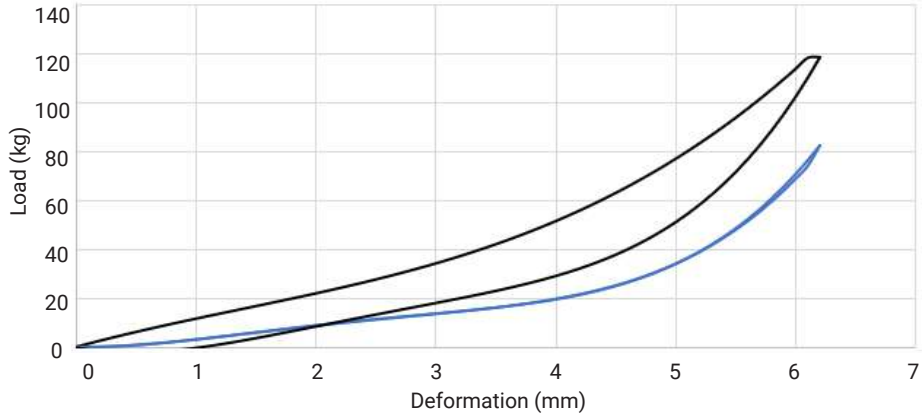


Operating temperature:
Rubber: -20 to +80 °C
Silicone: -50 to +200 °C

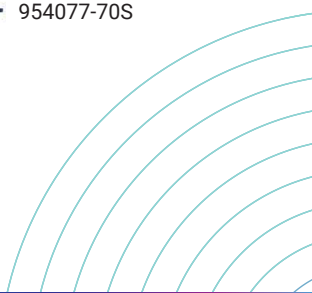
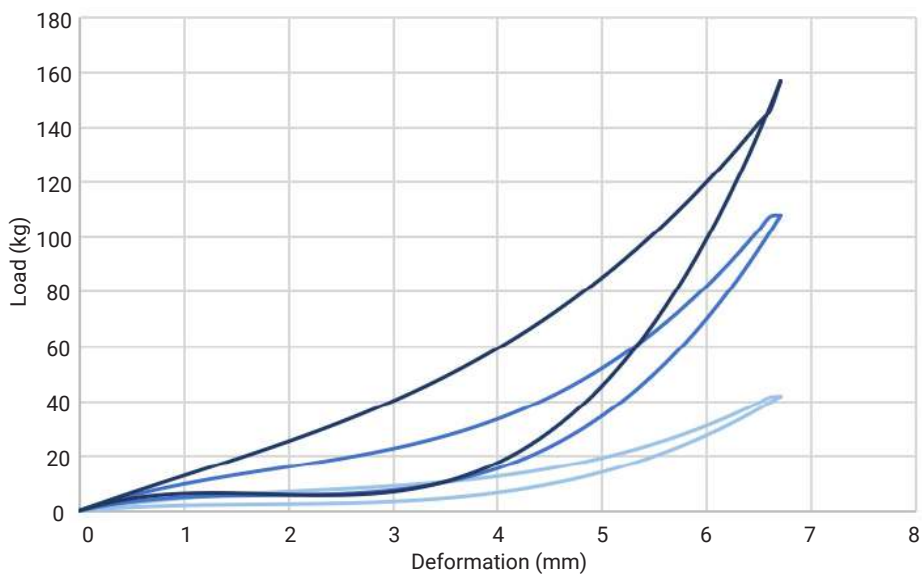
Laboratory research



Natural rubber



Silicone



Technical characteristics

	Ref.	Static load	Max dynamic load
Natural rubber	954077-40	8 - 20	30
	954077-50	20 - 50	100
	954077-65	30 - 100	250
	954077-75	50 - 150	350
Silicone	954077-30S	5 - 10	20
	954077-50S	8 - 20	30
	954077-70S	20 - 40	70

Measurements in kilograms (kg)





Tejasa TC LLC / Silentflex®

Leading Spanish manufacturer and supplier of noise and vibration isolators, anti-vibration mounts and dampers with more than 30 years of experience in vibration control.

Contact us



www.silentflex.com



+34 942 54 42 23



silentflex@silentflex.com



C/ Industria 77, Parque Industrial Tirso González 21, 39610 Astillero, Cantabria, Spain



Tejasa TC - Silentflex®