

Oval Base Metallic Silentblock



40 - 60
Hz

Natural
frequency

20 - 50
kg

Static load

- 70°C
+ 500°C

Operating
temperature

Components

- **Case, base, shaft** - steel with zinc-nickel surface treatment
- **Shock absorber** - metallic cushion in AISI 304 stainless steel wire mesh



Description

100% metallic shock absorber. Rigid parts are surface treated with zinc-nickel for greater resistance to corrosion and abrasion.

Provides small deformation in order to limit the movement of the supported elements and isolates **medium and high frequencies**.

Application

They are used in the **railway sector** and **industry** in general. They are also installed in **manufacturing, generation and pumping equipment and machine tools**.

Engines / Motors

Compressors

Boilers

Hydraulic bombs

Vibrating screen machines

Chillers

Electric transformers

Vehicle cabins (WC)

Generator sets

Fans

Industrial ovens

Lab equipment

Specifications

They are **resistant** to chemicals, corrosion, extreme temperatures, sunlight and fire. Perfectly suitable for **outdoor use**.

For **medium-high vibrations** (> 20-25 Hz).

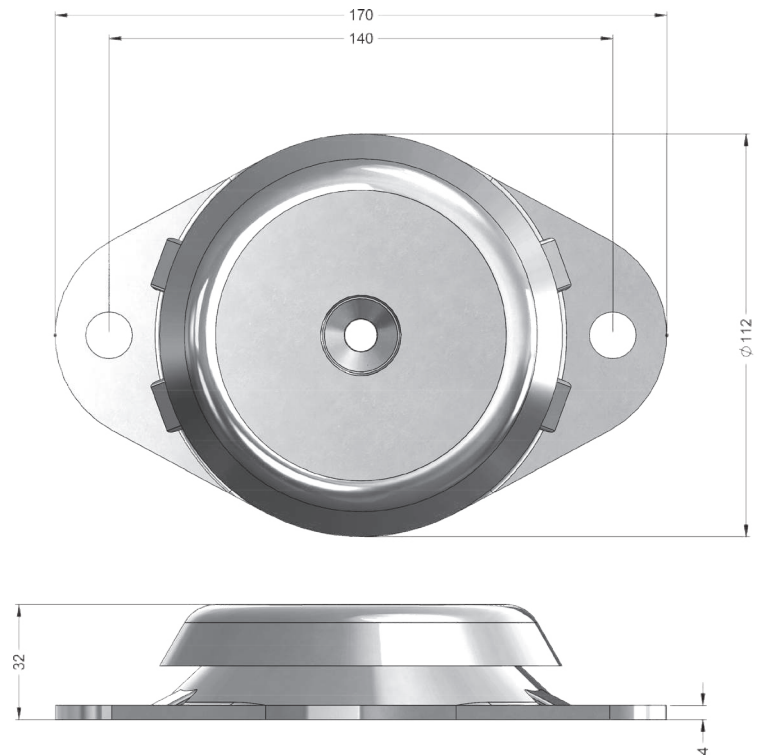
They work in **axial and radial direction**, it can be **installed** both **horizontally and vertically**.

They can work under **traction and compression loads**.

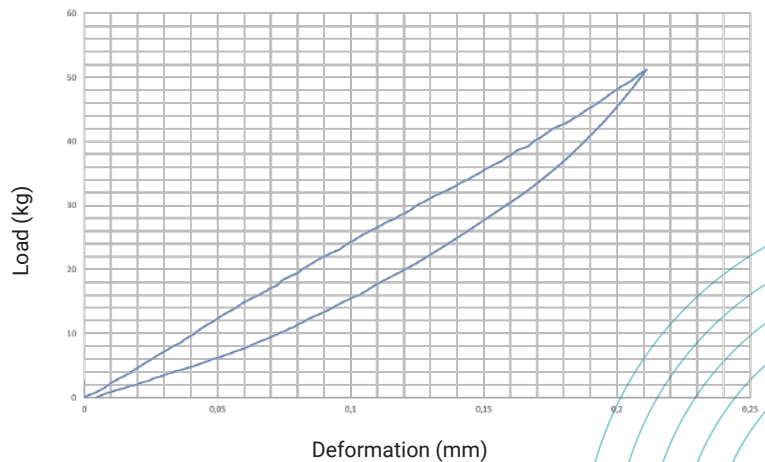
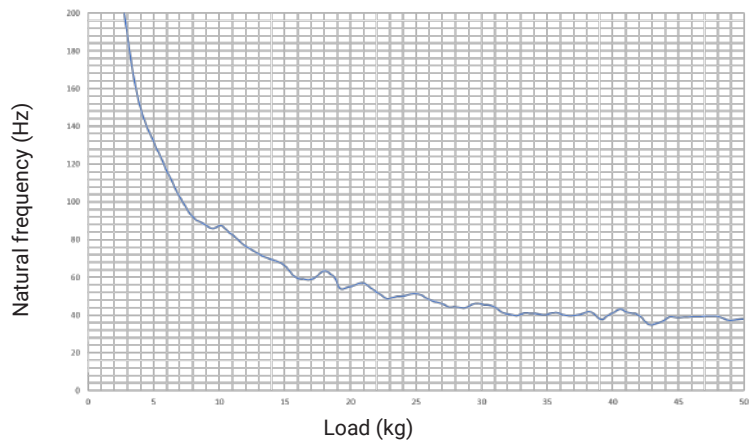
They provide **stable insulation** over a **wide range of loads**.



Dimensions



Laboratory research



Static load:
from 20 to 50 kg



Max. dynamic load:
200 kg



Natural frequency:
40 - 60 Hz



Operating temperature:
from -70 to +500 °C



Tejasa TC LLC / Silentflex®

Leading Spanish manufacturer and supplier of noise and vibration isolators, anti-vibration mounts and dampers with more than 30 years of experience in vibration control.

Contact us



www.silentflex.com



+34 942 54 42 23



silentflex@silentflex.com



C/ Industria 77, Parque Industrial Tirso González 21, 39610 Astillero, Cantabria, Spain