

ANTIVIBRATION SPRINGS SILENTFLEX®



DESCRIPTION

Silentflex antivibration springs is formed by a unique silentblock or a set of antivibration silentblocks. Each consists of a high resistance silentblock steel spring AISI-304, 2 light alloy rings and a stainless steel anti-vibration wire cushion.

Fast and reliable fixation of our antivibration silentblocks using standard screws, metrics can be modified upon request.

The silentblocks of a single spring can be supplied without mounts, with a single mount, or with a double ones to be fixed by through holes.

All parts of our silentflex antivibration springs are protected from corrosion, the spring is knitted, embossed & pressed to optimize absorption and the dissipation of seismic energy. The mounting plates are zinc-painted.



APPLICATIONS

The very low frequency isolators (between 3.5 and 6 HZ) can be used in multiple applications showing excellent properties of isolation of vibration.

The silentblock antivibration springs can be used indoors, outdoors or in the harshest conditions.

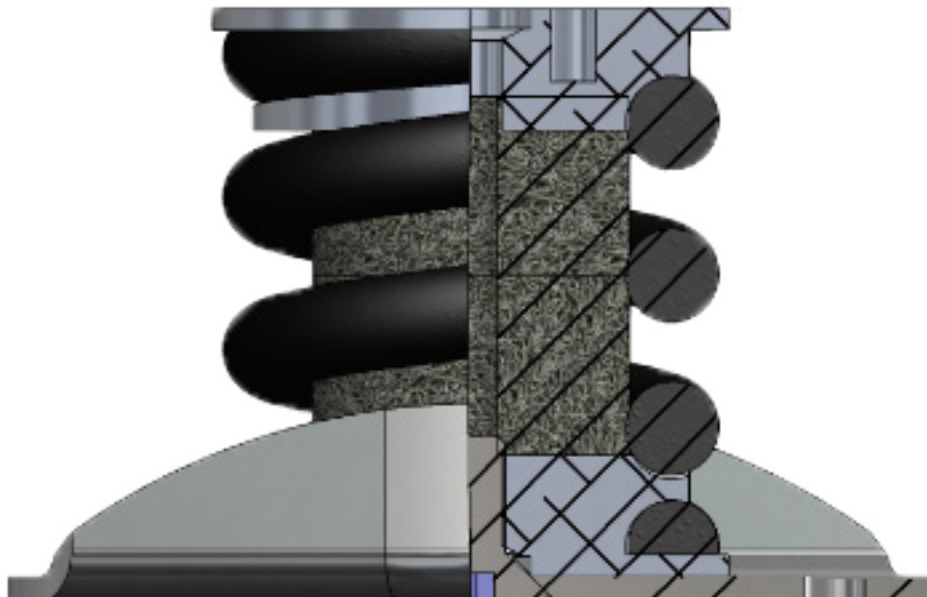
The metal cushion inside each spring increases the damping factor and limits the amplification at the natural frequency.

- In case of transformers, it can isolate more than 99% of the generated vibrations during operation.

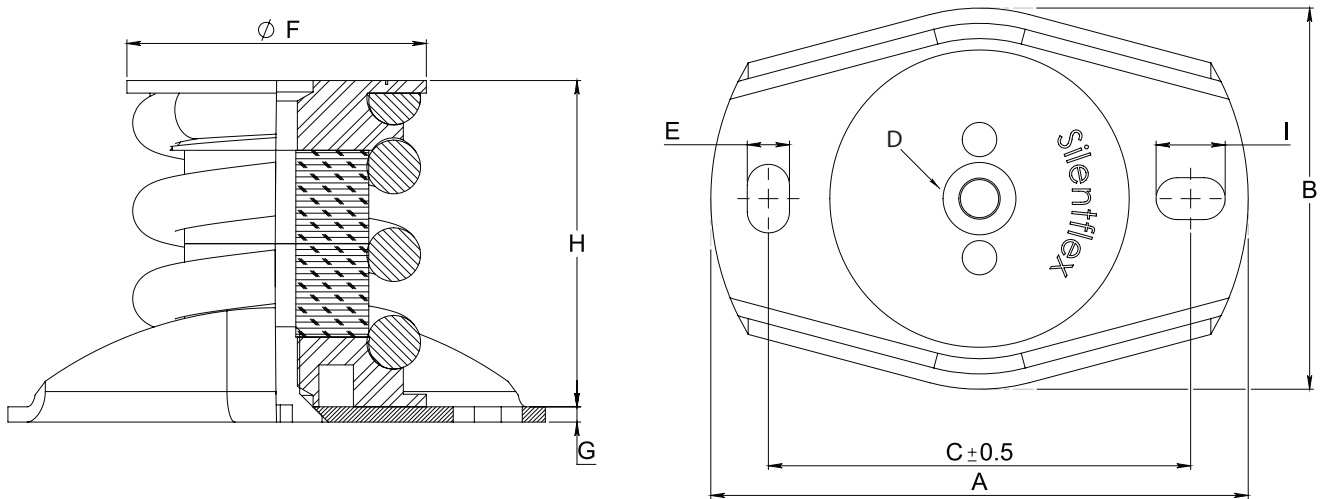
- Constant isolation & stable range of highly variable loads respect to the terminal.

- Very high durability

TECHNICAL CHARACTERISTICS



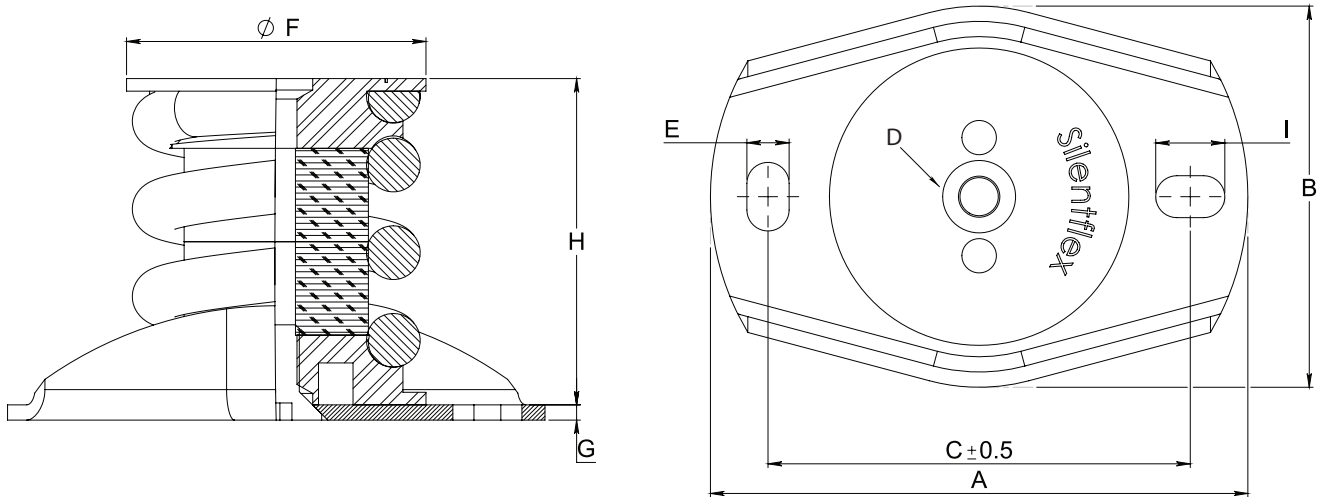
954057



Ref.	H Free (mm)	h Max Load (mm)	F (mm)	G	A (mm)	C (mm)	B (mm)	D (mm)	E (mm)	I (mm)	Static Load (Kg)	Fr (Hz)
954057-01	59	47,5	47	2,5	90	69,6	60	M8	7	15	6 a 10,5	7-9
954057-02	59	47,5	47	2,5	90	69,6	60	M8	7	15	7,5 a 13,5	7-9
954057-03	59	47,5	47	2,5	90	69,6	60	M8	7	15	12 a 20	7-9
954057-04	59	47,5	47	2,5	90	69,6	60	M8	7	15	18 a 30	7-9
954057-05	59	47,5	47	2,5	90	69,6	60	M8	7	15	24 a 46	7-9
954057-06	59	47,5	47	2,5	90	69,6	60	M8	7	15	40 a 75	7-9
954057-01S	61,5	50 ± 2	47	2,5	90	69,6	60	M8	7	15	6 a 10,5	7-9
954057-02S	61,5	50 ± 2	47	2,5	90	69,6	60	M8	7	15	7,5 a 13,5	7-9
954057-03S	61,5	50 ± 2	47	2,5	90	69,6	60	M8	7	15	12 a 20	7-9
954057-04S	61,5	50 ± 2	47	2,5	90	69,6	60	M8	7	15	18 a 30	7-9
954057-05S	61,5	50 ± 2	47	2,5	90	69,6	60	M8	7	15	24 a 46	7-9
954057-06S	61,5	50 ± 2	47	2,5	90	69,6	60	M8	7	15	40 a 75	7-9

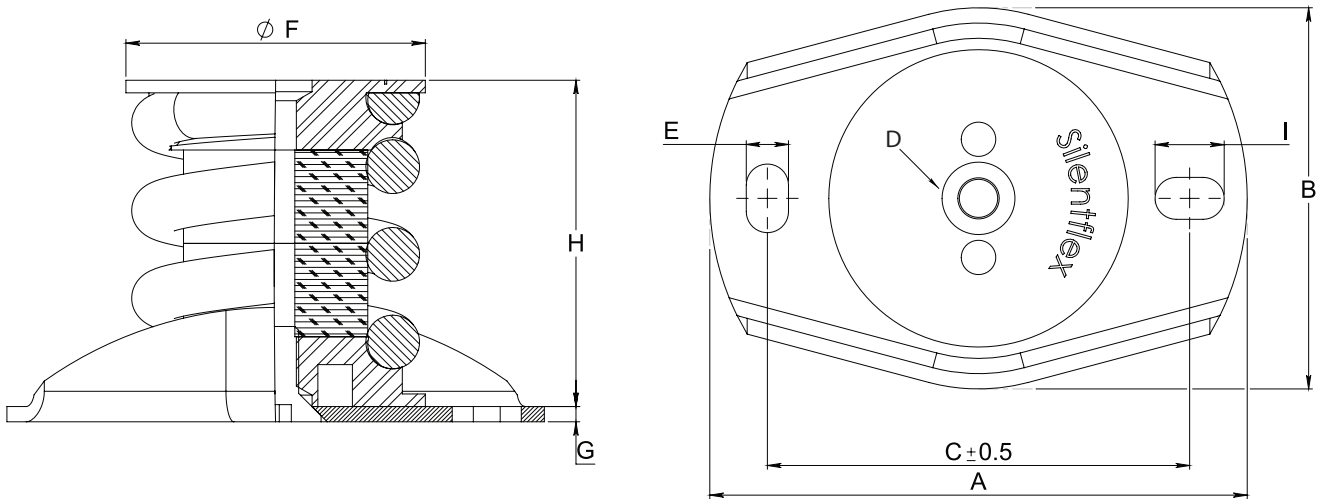


954058



Ref.	H Free (mm)	h Max Load (mm)	F (mm)	G	A (mm)	C (mm)	B (mm)	D (mm)	E (mm)	I (mm)	Static Load (Kg)	Fr (Hz)
954058-01	59	47,5	47	2,5	90	69,6	60	M8	7	15	5 a 7	5-6
954058-02	59	47,5	47	2,5	90	69,6	60	M8	7	15	6 a 9	5-6
954058-03	59	47,5	47	2,5	90	69,6	60	M8	7	15	9 a 14	5-6
954058-04	59	47,5	47	2,5	90	69,6	60	M8	7	15	14 a 20	5-6
954058-05	59	47,5	47	2,5	90	69,6	60	M8	7	15	20 a 30	5-6
954058-06	59	47,5	47	2,5	90	69,6	60	M8	7	15	30 a 50	5-6
954058-01S	61,5	50 ± 3	47	2,5	90	69,6	60	M8	7	15	5 a 7	5-6
954058-02S	61,5	50 ± 3	47	2,5	90	69,6	60	M8	7	15	6 a 9	5-6
954058-03S	61,5	50 ± 3	47	2,5	90	69,6	60	M8	7	15	9 a 14	5-6
954058-04S	61,5	50 ± 3	47	2,5	90	69,6	60	M8	7	15	14 a 20	5-6
954058-05S	61,5	50 ± 3	47	2,5	90	69,6	60	M8	7	15	20 a 30	5-6
954058-06S	61,5	50 ± 3	47	2,5	90	69,6	60	M8	7	15	30 a 50	5-6

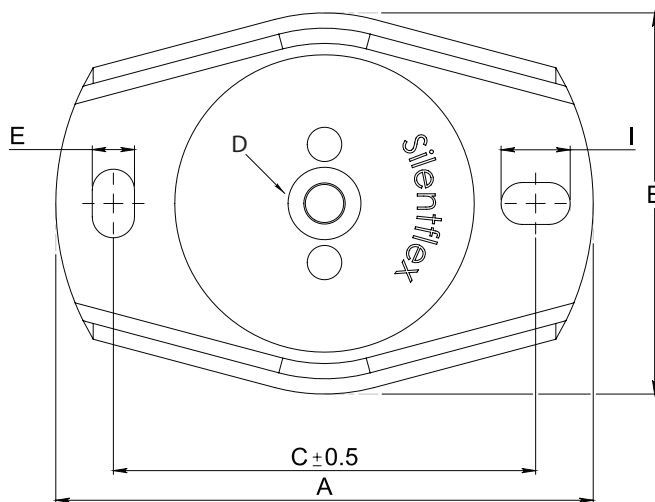
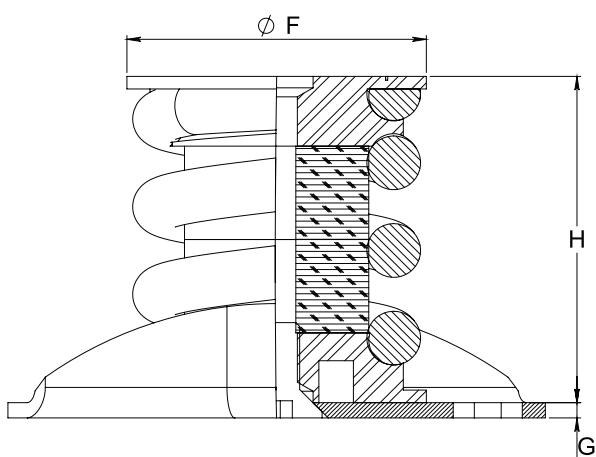
954059



Ref.	H Free (mm)	h Max Load (mm)	F (mm)	G	A (mm)	C (mm)	B (mm)	D (mm)	E (mm)	I (mm)	Static Load (Kg)	Fr (Hz)
954059-01	88	68	47	2,5	90	69,6	60	M8	7	15	5 a 7	3-4
954059-02	88	68	47	2,5	90	69,6	60	M8	7	15	6 a 9	3-4
954059-03	88	68	47	2,5	90	69,6	60	M8	7	15	9 a 14	3-4
954059-04	88	68	47	2,5	90	69,6	60	M8	7	15	14 a 20	3-4
954059-05	88	68	47	2,5	90	69,6	60	M8	7	15	20 a 30	3-4
954059-06	88	68	47	2,5	90	69,6	60	M8	7	15	30 a 50	3-4
954059-01S	90,5	70,5 ± 5	47	2,5	90	69,6	60	M8	7	15	5 a 7	3-4
954059-02S	90,5	70,5 ± 5	47	2,5	90	69,6	60	M8	7	15	6 a 9	3-4
954059-03S	90,5	70,5 ± 5	47	2,5	90	69,6	60	M8	7	15	9 a 14	3-4
954059-04S	90,5	70,5 ± 5	47	2,5	90	69,6	60	M8	7	15	14 a 20	3-4
954059-05S	90,5	70,5 ± 5	47	2,5	90	69,6	60	M8	7	15	20 a 30	3-4
954059-06S	90,5	70,5 ± 5	47	2,5	90	69,6	60	M8	7	15	30 a 50	3-4



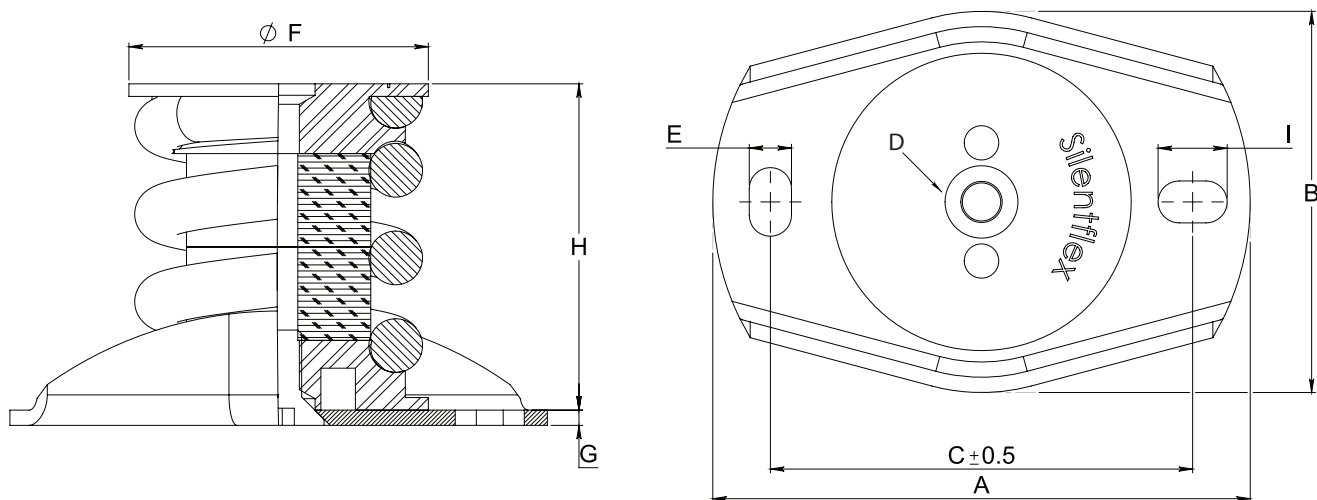
954060



Ref.	H Free (mm)	h Max Load (mm)	F (mm)	G	A (mm)	C (mm)	B (mm)	D (mm)	E (mm)	I (mm)	Static Load (Kg)	Fr (Hz)
954060-00	88	78+-3	78	5	140	110	100	M12	11	18	25 a 40	7-9
954060-01	88	78+-3	78	5	140	110	100	M12	11	18	40 a 85	7-9
954060-02	88	78+-3	78	5	140	110	100	M12	11	18	65 a 125	7-9
954060-03	88	78+-3	78	5	140	110	100	M12	11	18	110 a 190	7-9
954060-04	88	78+-3	78	5	140	110	100	M12	11	18	175 a 270	7-9
954060-05	88	78+-3	78	5	140	110	100	M12	11	18	250 a 400	7-9
954060-06	88	78+-3	78	5	140	110	100	M12	11	18	360 a 560	7-9
954060-07	88	78+-3	78	5	140	110	100	M12	11	18	540 a 730	7-9
954060-01S	92	82+-3	78	5	140	110	100	M12	11	18	40 a 85	7-9
954060-02S	92	82+-3	78	5	140	110	100	M12	11	18	65 a 125	7-9
954060-03S	92	82+-3	78	5	140	110	100	M12	11	18	110 a 190	7-9
954060-04S	92	82+-3	78	5	140	110	100	M12	11	18	175 a 270	7-9
954060-05S	92	82+-3	78	5	140	110	100	M12	11	18	250 a 400	7-9
954060-06S	92	82+-3	78	5	140	110	100	M12	11	18	360 a 560	7-9
954060-07S	92	82+-3	78	5	140	110	100	M12	11	18	540 a 730	7-9



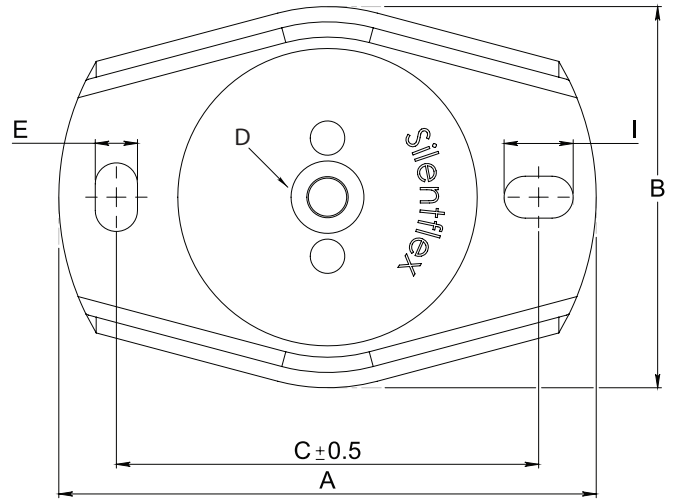
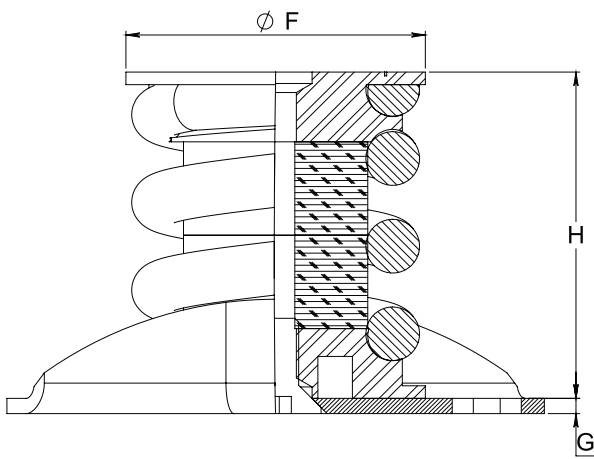
954061



Ref.	H Free (mm)	h Max Load (mm)	F (mm)	G (mm)	A (mm)	C (mm)	B (mm)	D (mm)	E (mm)	I (mm)	Static Load (Kg)	Fr (Hz)
954061-00	88	78+3	78	5	140	110	100	M12	11	18	20 a 35	5-6
954061-01	88	78+3	78	5	140	110	100	M12	11	18	30 a 50	5-6
954061-02	88	78+3	78	5	140	110	100	M12	11	18	50 a 80	5-6
954061-03	88	78+3	78	5	140	110	100	M12	11	18	80 a 125	5-6
954061-04	88	78+3	78	5	140	110	100	M12	11	18	125 a 195	5-6
954061-05	88	78+3	78	5	140	110	100	M12	11	18	195 a 310	5-6
954061-06	88	78+3	78	5	140	110	100	M12	11	18	310 a 420	5-6
954061-07	88	78+3	78	5	140	110	100	M12	11	18	420 a 560	5-6
954061-00S	92	82+3	78	5	140	110	100	M12	11	18	20 a 35	5-6
954061-01S	92	82+3	78	5	140	110	100	M12	11	18	30 a 50	5-6
954061-02S	92	82+3	78	5	140	110	100	M12	11	18	50 a 80	5-6
954061-03S	92	82+3	78	5	140	110	100	M12	11	18	80 a 125	5-6
954061-04S	92	82+3	78	5	140	110	100	M12	11	18	125 a 195	5-6
954061-05S	92	82+3	78	5	140	110	100	M12	11	18	195 a 310	5-6
954061-06S	92	82+3	78	5	140	110	100	M12	11	18	310 a 420	5-6
954061-07S	92	82+3	78	5	140	110	100	M12	11	18	420 a 560	5-6



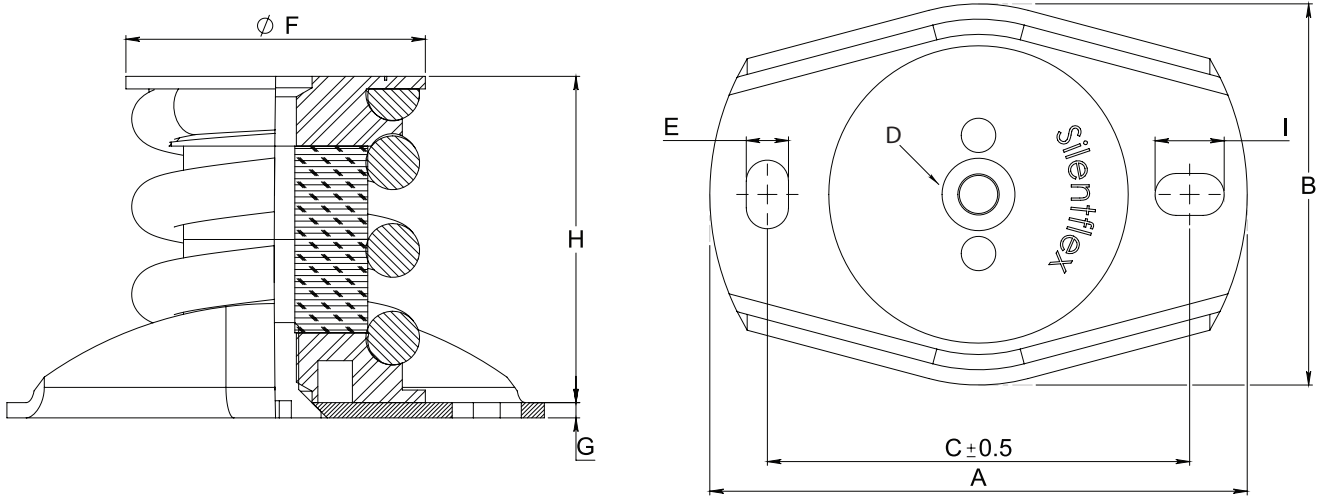
954062



Ref.	H Free (mm)	h Max Load (mm)	F (mm)	G	A (mm)	C (mm)	B (mm)	D (mm)	E (mm)	I (mm)	Static Load (Kg)	Fr (Hz)
954062-01	142	120	78	5	140	110	100	M12	11	18	75 a 105	3-4
954062-02	142	120	78	5	140	110	100	M12	11	18	95 a 130	3-4
954062-03	142	120	78	5	140	110	100	M12	11	18	115 a 160	3-4
954062-04	142	120	78	5	140	110	100	M12	11	18	160 a 230	3-4
954062-05	142	120	78	5	140	110	100	M12	11	18	220 a 310	3-4
954062-06	142	120	78	5	140	110	100	M12	11	18	300 a 415	3-4
954062-07	142	120	78	5	140	110	100	M12	11	18	410 a 550	3-4
954062-01S	146	124	78	5	140	110	100	M12	11	18	75 a 105	3-4
954062-02S	146	124	78	5	140	110	100	M12	11	18	95 a 130	3-4
954062-03S	146	124	78	5	140	110	100	M12	11	18	115 a 160	3-4
954062-04S	146	124	78	5	140	110	100	M12	11	18	160 a 230	3-4
954062-05S	146	124	78	5	140	110	100	M12	11	18	220 a 310	3-4
954062-06S	146	124	78	5	140	110	100	M12	11	18	300 a 415	3-4
954062-07S	146	124	78	5	140	110	100	M12	11	18	410 a 550	3-4



954062

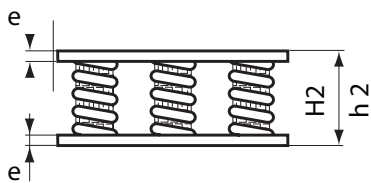


Ref.	H Free (mm)	h Max Load (mm)	F (mm)	G	A (mm)	C (mm)	B (mm)	D (mm)	E (mm)	I (mm)	Static Load (Kg)	Fr (Hz)
954063-01	142	120	78	5	140	110	100	M12	11	18	98 a 137	4-5
954063-02	142	120	78	5	140	110	100	M12	11	18	124 a 169	4-5
954063-03	142	120	78	5	140	110	100	M12	11	18	150 a 208	4-5
954063-04	142	120	78	5	140	110	100	M12	11	18	208 a 299	4-5
954063-05	142	120	78	5	140	110	100	M12	11	18	286 a 403	4-5
954063-06	142	120	78	5	140	110	100	M12	11	18	390 a 540	4-5
954063-07	142	120	78	5	140	110	100	M12	11	18	533 a 715	4-5
954063-01S	146	124	78	5	140	110	100	M12	11	18	98 a 137	4-5
954063-02S	146	124	78	5	140	110	100	M12	11	18	124 a 170	4-5
954063-03S	146	124	78	5	140	110	100	M12	11	18	150 a 208	4-5
954063-04S	146	124	78	5	140	110	100	M12	11	18	208 a 299	4-5
954063-05S	146	124	78	5	140	110	100	M12	11	18	286 a 403	4-5
954063-06S	146	124	78	5	140	110	100	M12	11	18	390 a 540	4-5
954063-07S	146	124	78	5	140	110	100	M12	11	18	533 a 715	4-5

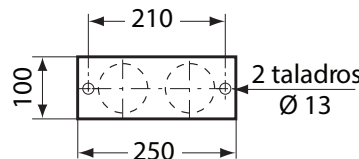


ANTIVIBRATION WITH SEVERAL SPRINGS

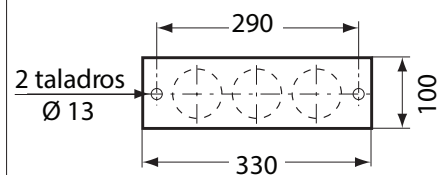
We can fabricate any set of anti vibration springs according to our clients specifications, we show you just some exaples right here.



H2 libre máx - h2 bajo carga



- 954060-25, -26 ó -27
- 954061-25, -26 ó -27
- 954062-25, -26 ó -27



- 954060-36 ó -37
- 954061-36 ó -37
- 954062-36 ó -37



Reference	Static Load (Kg)	H2 Free (mm)	H2 Max. Load (mm)	e (mm)	Total Weight (Kg*)
954060-25	500 a 800	96	86 ± 3	4	2000 a 3200
954060-26	720 a 1120	96	86 ± 3	4	2880 a 4480
954060-27	1080 a 1460	106	94 ± 3	8	4320 a 5840
954060-36	1080 a 1680	106	94 ± 3	8	4320 a 6720
954060-37	1620 a 2190	106	94 ± 3	8	6480 a 8760
954061-25	390 a 620	106	94 ± 3	8	1.560 a 2.480
954061-26	620 a 840	106	94 ± 3	8	2.480 a 3.360
954061-27	840 a 1.120	106	94 ± 3	8	3.720 a 4.480
954061-28		106	94 ± 3	8	
954061-36	930 a 1.260	106	94 ± 3	8	3.790 a 5.040
954061-37	1.260 a 1.680	106	94 ± 3	8	5.040 a 6.720
954061-38		106	94 ± 3	8	

*The Total Weight box in the table is for an example of 4 supports.



CONTACT

Address:

C/ Industria 77, Parque empresarial Tirso G. 21 - 39610 El Astillero - Cantabria-Spain.

Phone:

942 544 223

Fax:

942 544 224

E-mail:

silentflex@silentflex.com

Web:

www.silentflex.com

